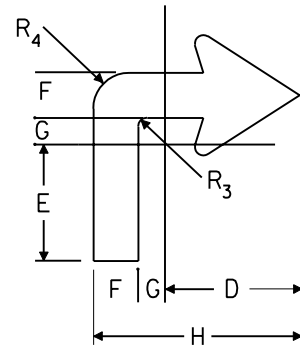
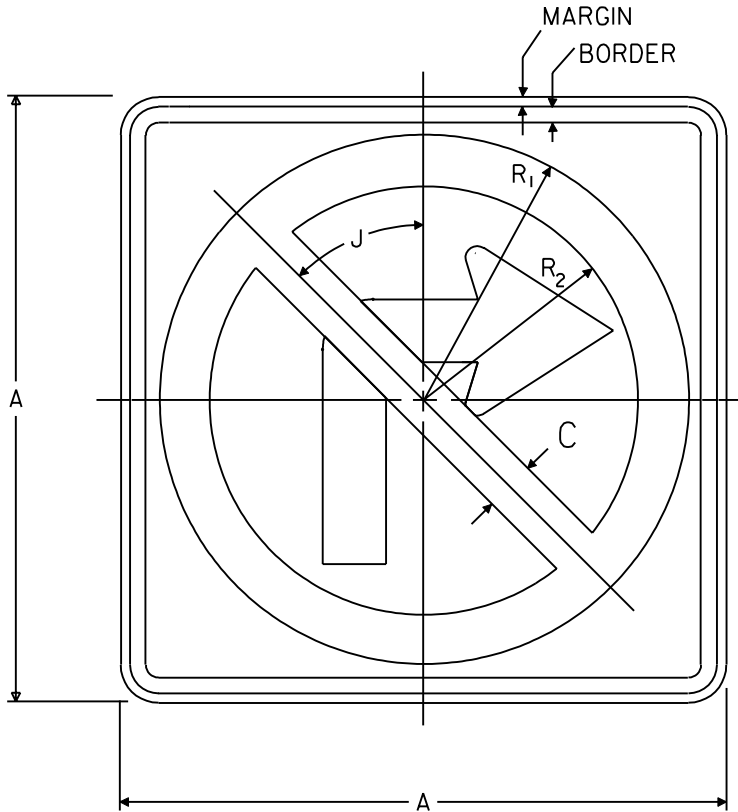


STANDARD SIGN DESIGN

OHIO DEPARTMENT OF TRANSPORTATION
OFFICE OF TRAFFIC ENGINEERING

CODE NO.

DR LAM	Date 04/19/02	COLORS: SEE BELOW	SERIES: REGULATORY	ODOT: R-120 FHWA: R3-1
-----------	------------------	-------------------	--------------------	---------------------------



COLOR:
CIRCLE & DIAGONAL - RED
BORDER & SYMBOL - BLACK
BACKGROUND - WHITE

CODE NO.	ALL DIMENSIONS IN INCHES															
	A	B	C	D	E	F	G	H	J	R ₁	R ₂	R ₃	R ₄	R ₅	BORDER	MARGIN
R-120-24	24		2	5.56	6.50	2.50	1.50	11.50	45°	10.50	8.50	0.50	2	1.50	0.62	0.38
R-120-36	36		3	8.37	9.75	3.75	2.25	17.25	45°	15.75	12.75	0.75	3	2.25	0.88	0.62
R-120-48	48		4	15	13	5	3	23	45°	21	17	1.00	4	3.00	1.25	0.75